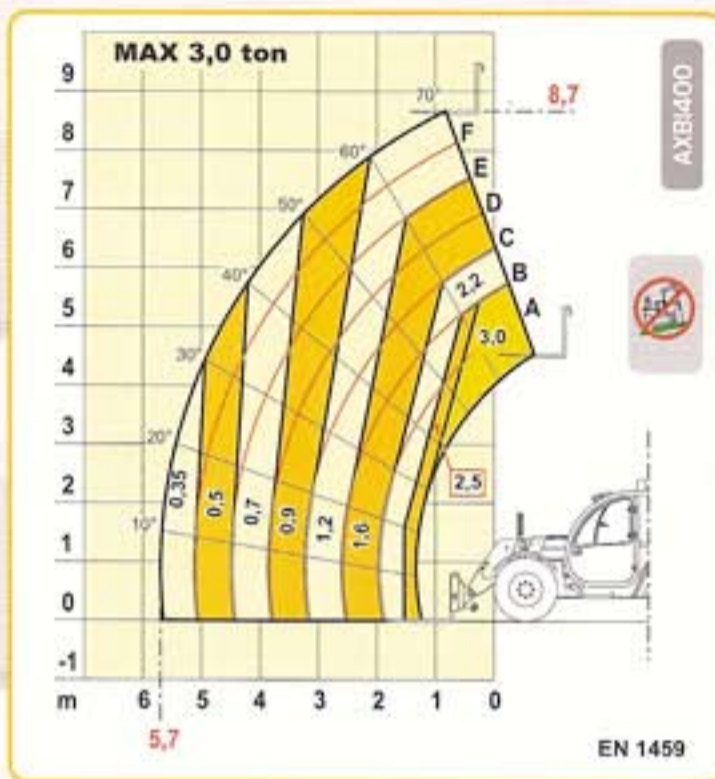
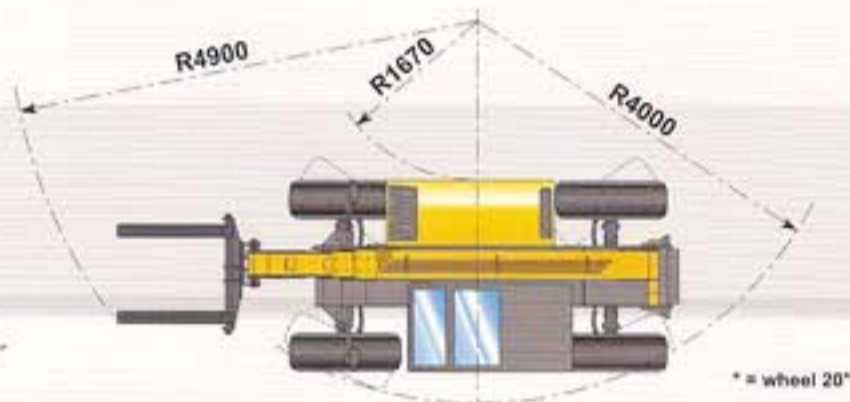


macchine edili ed agricole
d DIECI

Dedalus 30.9



Dedalus 30.9



PERFORMANCES

| | |
|--------------------------------------|-----------|
| Maximum capacity: | 3.000 kg |
| Capacity at maximum height on tyres: | 1.200 kg |
| Maximum capacity boom on tyres: | 350 kg |
| Maximum lifting height on tyres: | 8,70 m |
| Maximum horizontal boom extension: | 5,70 m |
| Boom at maximum height: | 0,80 m |
| Angle of fork arching: | 130° |
| Tearing force: | 5.700 daN |
| Towing force: | 7.300 daN |
| Maximum slope for overtaking: | 40 % |
| Total empty weight: | 6.150 kg |
| Max speed: | 40 km/h |



TRANSMISSION

Transmission: hydrostatic with variable capacity pump
 Hydraulic engine: with automatic change
 Gear reversing: electro - hydraulic
 Inching pedal for controlled forward movement.
 2 speed power steering.



HYDRAULIC CIRCUIT

Gear pump with capacity at speed: 88 l/l'
 Max working pressure: 230 bar
 Distributor controls with joystick: 3 in 1



DIFFERENTIAL AXLES

Steering axles: 2, with epicycloidal reduction gears
 Type of steering: 4 wheels / transversal / 2 wheels
 Front axle: rigid
 Rear axle: oscillating
 Service braking: oil bath on the front axle
 Parking brake: actuated negatively



ENGINE

ENGINE IVECO NEF F4GE0404A - NA - 60 kW
 Maximum power: 60 kW (82 hp) at 2300 rpm
 Operating principle: four-stroke engine, diesel
 Cylinders number and layout: 4, vertical in line
 Displacement: 4485 cm³ - aspirated
 Cooling system: liquid

ENGINE IVECO NEF F4GE0454A - TC - 74 kW
 Maximum power: 74 kW (102 hp) at 2300 rpm
 Operating: four-stroke engine, diesel
 Cylinders number and layout: 4, vertical in line
 Displacement: 4485 cm³ - Turbo compressor
 Cooling system: liquid



REFUELLING (litre)

Hydraulic circuit: 130
 Fuel tank: 60



STANDARD DEVICES

Anti-tipping device with block for hazardous movements.
 Closed soundproof homologated cab ROPS - FOPS, with heating.
 Hydraulic socket for possible accessories on boom head.
 Front self-locking axle (limited slip 45%).



TYRES

Tyres: 405/70x20"



OPTIONAL AND ACCESSORIES

Optional and Accessories: see the relevant catalogue

The information contained in the present publication are only intended as an indication; the models described may be modified, without notice, by the manufacturer, drawings and photographs may refer to optional equipment or to particular specifications for other countries. For any further information, please contact DIECI headquarters at the address given below.