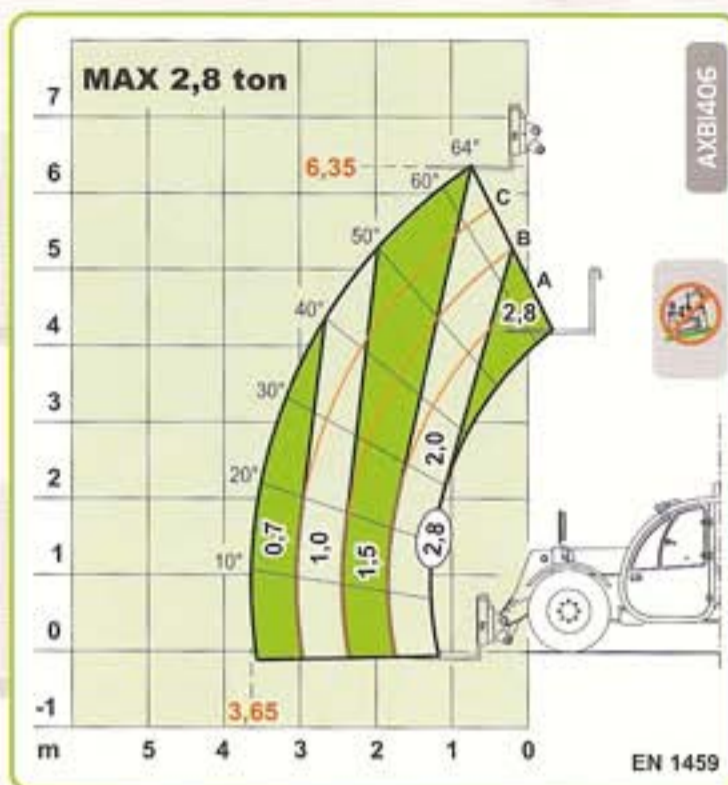
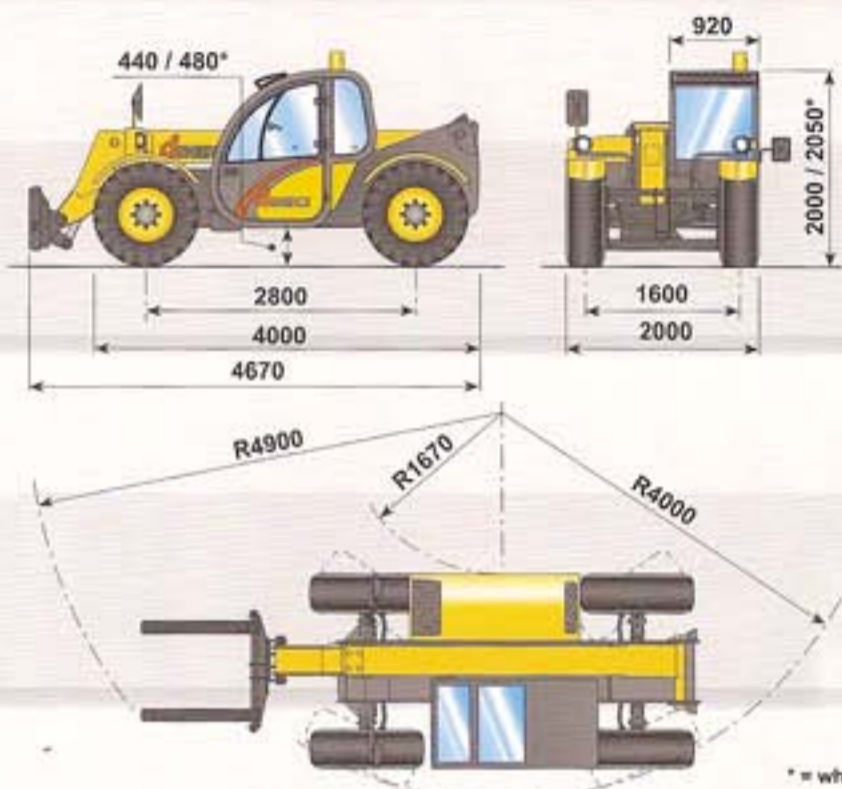


macchine edili ed agricole
d DIECI

Agri Farmer 28.7



Agri Farmer 28.7



PERFORMANCES

Maximum capacity:	2.800 kg
Capacity at maximum height on tyres:	2.000 kg
Capacity at maximum boom extension on tyres:	700 kg
Maximum lifting height on tyres:	6,35 m
Maximum horizontal boom extension:	3,65 m
Boom extension at maximum height:	0,80 m
Fork tilting angle:	130°
Tearing force:	5.700 daN
Towing force:	7.300 daN
Maximum allowable slope:	40 %
Total empty weight:	6.000 kg
Max speed:	35 km/h



TRANSMISSION

Transmission: hydrostatic with variable delivery pump
 Hydraulic engine: with automatic adjustment
 Reversing gear: electro - hydraulic
 Inching pedal for controlled forward movement.
 Servocontrolled 2 speed gearbox.



HYDRAULIC SYSTEM

Gear pump with capacity at max speed: 88 lt/1'
 Max working pressure: 230 bar
 Control valve with joystick: 3 in 1



DIFFERENTIAL AXLES

Steering axles: 2, with planetary reduction gears
 Type of steering: 4 wheels/transversal/2 wheels
 Front axle: rigid
 Rear axle: oscillating
 Service brake: oil bath on the front axle
 Negative parking brake.



OPTIONAL AND ACCESSORIES

Optional and Accessories: see the relevant catalogue



ENGINE

IVECO NEF F4GE0454A - TC - 74 kW ENGINE
 Maximum power: 74 kW (102 hp) at 2300 rpm
 Operating principle: four-stroke, diesel engine
 Cylinder number and layout: 4, vertical in line
 Displacement: 4485 cm³ - Turbo compressor
 Cooling system: liquid



REFUELLING (litre)

Hydraulic tank: 130
 Fuel tank: 60



STANDARD DEVICES

Anti-tipping device with block for hazardous movements.
 Hydraulic socket for possible accessories on boom head.
 Closed soundproof ROPS - FOPS approved driver's cab, with heating.
 Self-locking differential on front axle (limited slip 45%).



TYRES

Tyres: 12,5x18"
 Alternative: 16/70x20"



TOWING CAPACITY (on request)

Unbraked trailer: 3 ton
 Mechanical braking: 5 ton
 Hydraulic/pneumatic brake: 17 ton
 20" Tyres included

The information contained in this publication is merely indicative; the models described may be modified, without notice, by the manufacturer, drawings and photographs may refer to optional or particular equipment for other countries. For any further information, please contact DIECI premises at the address given below.