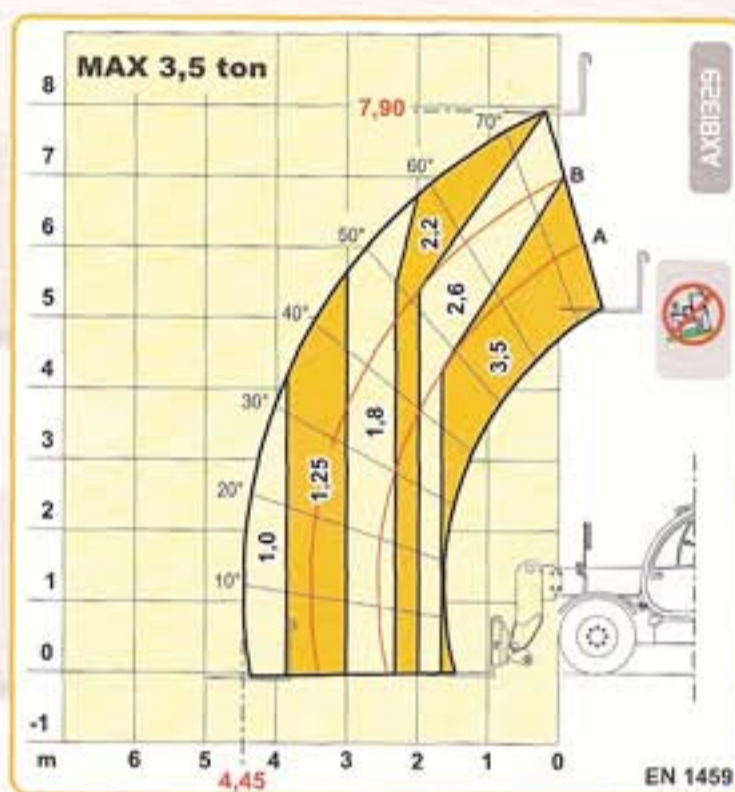
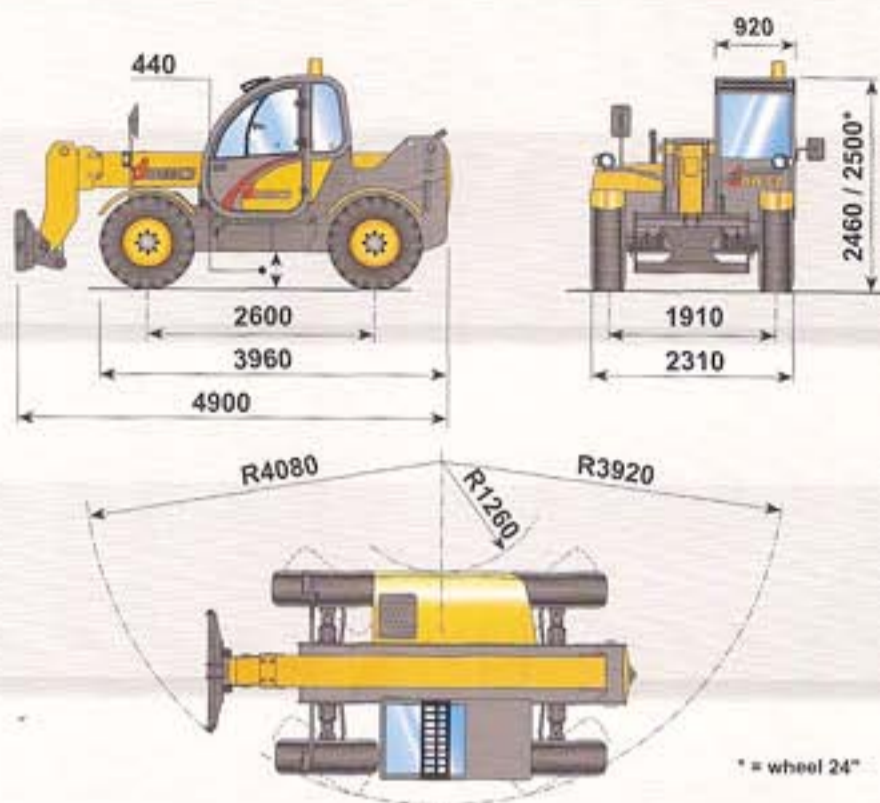


macchine edili ed agricole
d DIECI

Runner 35.8



Runner 35.8



PERFORMANCES

| | |
|--|-----------|
| Maximum capacity: | 3.500 kg |
| Capacity at maximum height on tyres: | 2.600 kg |
| Capacity at maximum boom extension on tyres: | 1.000 kg |
| Maximum lifting height on tyres: | 7.90 m |
| Maximum horizontal boom extension: | 4.45 m |
| Boom extension at maximum height: | 0.30 m |
| Fork tilting angle: | 134° |
| Tearing force: | 5.700 daN |
| Towing force: | 7.300 daN |
| Maximum allowable slope: | 40 % |
| Total empty weight: | 8.000 kg |
| Max speed: | 30 km/h |

(on request 40 km/h with TC and TA engine)

TRANSMISSION

Transmission: hydrostatic with variable delivery pump
 Hydraulic engine: with automatic adjustment
 Reversing gear: electro - hydraulic
 Inching pedal for controlled forward movement.
 Servocontrolled 2 speed gearbox.

HYDRAULIC SYSTEM

Gear pump with capacity at max speed: 100 l/min
 Max working pressure: 230 bar
 Control valve with joystick: 3 in 1

DIFFERENTIAL AXLES

Steering axles: 2, with planetary reduction gears
 Type of steering: 4 wheels / transversal / 2 wheels
 Front axle: rigid (levelling on request)
 Rear axle: oscillating
 Service brake: oil bath on the 4 wheels with double hydraulic system

ENGINE

IVECO NEF F4GE0404A - NA - 60 kW ENGINE
 Maximum power: 60 kW (82 hp) at 2300 rpm
 Operating principle: four-stroke, diesel engine
 Cylinder number and layout: 4, vertical in line
 Displacement: 4485 cm³ - aspirated
 Cooling system: liquid

IVECO NEF F4GE0454A - TC - 74 kW ENGINE
 Maximum power: 74 kW (102 hp) at 2300 rpm
 Operating principle: four-stroke, diesel engine
 Cylinder number and layout: 4, vertical in line
 Displacement: 4485 cm³ - Turbo compressor
 Cooling system: liquid

IVECO NEF F4GE0484C - TA - 94 kW ENGINE
 Maximum power: 94 kW (128 hp) at 2300 rpm
 Operating principle: four-stroke, diesel engine
 Cylinder number and layout: 4, vertical in line
 Displacement: 4485 cm³ - Aftercooler turbo compressor
 Cooling system: liquid

REFUELLING (litre)

Hydraulic tank: 155
 Fuel tank: 105

STANDARD DEVICES

Anti-tipping device with block for hazardous movements.
 Hydraulic socket for possible accessories on boom head.
 Closed soundproof ROPS - FOPS approved driver's cab, with heating.
 Self-locking differential on front axle (limited slip 45%).

TYRES

Tyres: 16/70x20" MPT04
 Alternative: 405/70x24" MPT04

OPTIONAL AND ACCESSORIES

Optional and Accessories: see the relevant catalogue

The information contained in this publication is merely indicative; the models described may be modified, without notice, by the manufacturer, drawings and photographs may refer to optional or particular equipment for other countries. For any further information, please contact DIECI premises at the address given below.